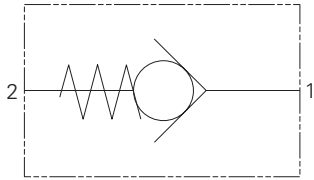


# 3CA300 - Check Valve

Direct acting, poppet style

300 L/min (80 USgpm) • 350 bar (5000 psi)



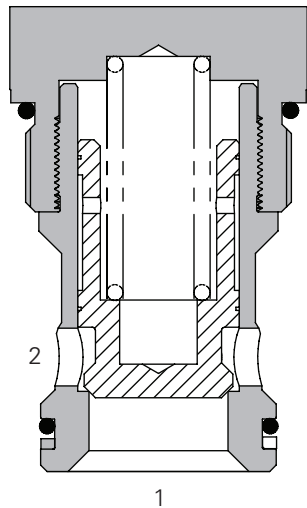
## Operation

This is a poppet type, direct acting screw-in cartridge check valve allowing free flow from port 1 to 2.

## Features

Hardened and ground working parts to limit leakage and extend service life. Robust design with a 350 bar (5000 psi) max pressure rating.

## Sectional View



## Performance Data

### Ratings and Specifications

Figures based on: Oil Temp = 40°C Viscosity = 32 cSt (150 SUS)

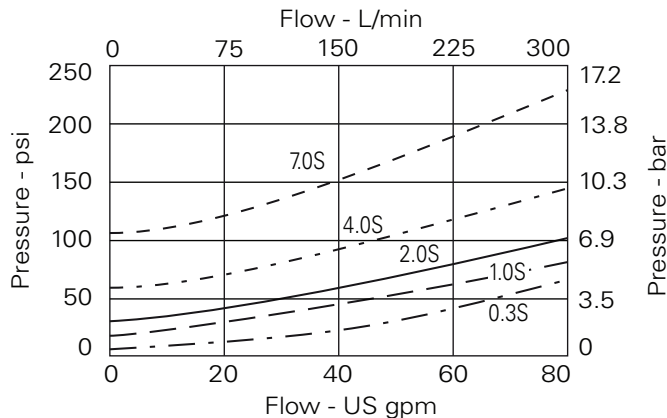
|  |  |
|--|--|
| Typical application pressure (all ports) | 350 bar (5000 psi)   |
| Rated flow                               | 300 L/min (80 USgpm)   |
| Free flow cracking pressure              | 0.3 - 3 bar (4.4 psi)<br>1.0 - 1 bar (14.5 psi)<br>2.0 - 2 bar (29 psi)<br>4.0 - 4 bar (58 psi)<br>7.0 - 7 bar (100 psi) |
| Leakage                                  | 0.2 millilitres/min nominal  |
| Temperature range                        | -30° to 90°C (-22° to 194°F)   |
| Cavity                                   | A13245 (C-20-2) See Section M)   |
| Torque cartridge into cavity             | 150 Nm (110 lbs ft)  |
| Filtration                               | BS5540/4 Class 18/13<br>(25 micron nominal)  |
| Cartridge material                       | All steel construction.<br>External parts electroless zinc plated.   |
| Standard housing material                | Aluminum (up to 210 bar)<br>Add suffix '377' for steel option.   |
| Norminal Viscosity Range                 | 15 to 250 cSt  |
| Weight                                   | 0.48 kg (1.06 lbs.)  |
| Mounting position                        | Unrestricted   |
| Seal kit                                 | SK396 (Nitrile)<br>SK396V (Viton®)   |

Viton is a registered trademark of E.I. DuPont

## Descriptions

This is a poppet type, direct acting screw-in cartridge check valve allowing free flow from port 1 to 2.

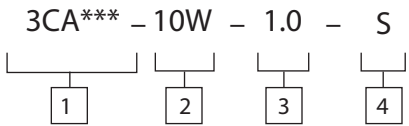
## Pressure Drop



# 3CA300 - Check Valve

Direct acting, poppet style  
 300 L/min (80 USgpm) • 350 bar (5000 psi)

## Model Code



### 1 Function

3CA300 - Cartridge only  
 3CA355 - Cartridge and body

### 2 Port Size - Bodied Valves Only

| Code | Port Size  | Housing Number |        |
|------|------------|----------------|--------|
|      |            | Aluminum       | Steel  |
| 10W  | 1 1/4" BSP | C24005         | C24006 |
| 20T  | 1 1/4" SAE | C24011         | C24012 |

### 3 Cracking Pressure

- 0.3 - 0.3 bar (4.4 psi)
- 1.0 - 1.0 bar (14.5 psi)
- 2.0 - 2.0 bar (29 psi)
- 4.0 - 4.0 bar (58 psi)
- 7.0 - 7.0 bar (100 psi)

### 4 Seals

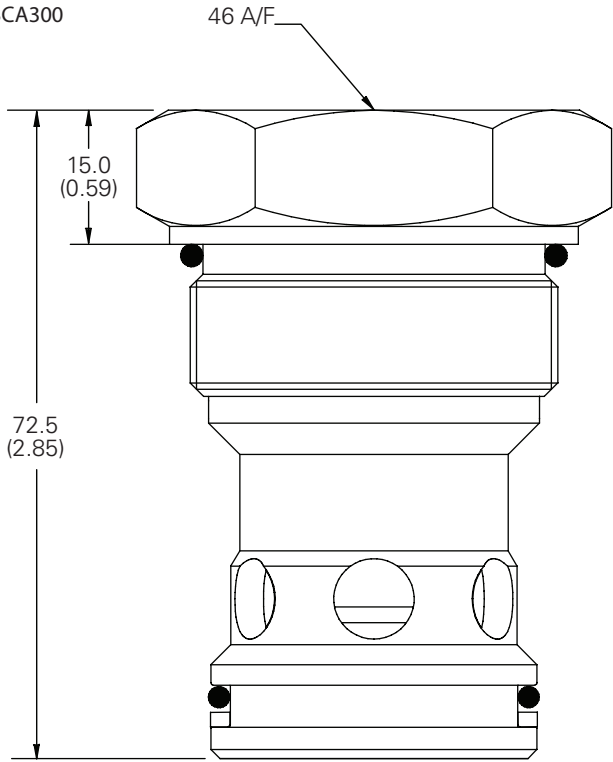
- S - Nitrile (For use with most industrial hydraulic oils)
- SV - Viton (For high temperature and most special fluid applications)

## Dimensions

mm (inch)

Note: For applications above 210 please consult our technical department or use the steel body option.

Cartridge Only  
 Basic Code  
 3CA300



Single Valve  
 1 1/4", 1 1/2" Ports  
 Basic Code 3CA355

