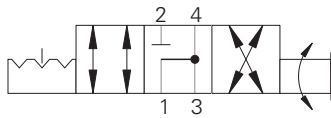


# MRV6-10 - Manual Rotary Valve

Manual semi-rotary directional control valve

11 L/min (3 USgpm) • 210 bar (3000 psi)



## Operation

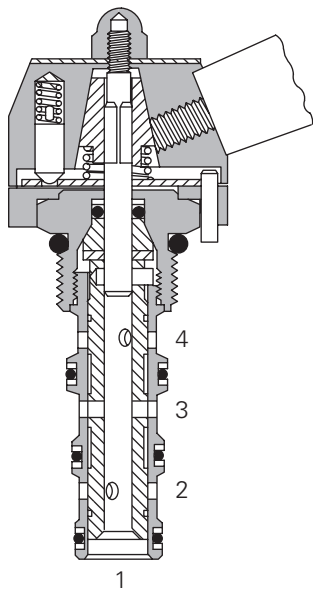
This valve will direct flow between ports 1 and 2 and ports 3 and 4 in one position.

By turning the operator 90°, flow will be directed between ports 1 and 4 and port 3 to 2. During the cross-over transition all ports 1, 3 and 4 are open to each other and port 2 is blocked.

## Features

Hardened, ground and honed working parts to limit leakage and prolong life. Various levers and knobs available with and without detent.

## Sectional View



## Performance Data

### Ratings and Specifications

Performance data is typical with fluid at 21,8 cSt (105 SUS) and 49°C (120°F)

Typical application pressure (all ports)	210 bar (3000 psi)
Cartridge fatigue pressure (infinite life)	210 bar (3000 psi)
Rated flow	11 L/min (3 USgpm)
Internal leakage	164cc/min (10in <sup>3</sup> /min) maximum @ 210 bar (3000 psi)
Temperature range	-40° to 120°C (-40° to 248°F)
Manual operators	D - Lever (3-position detent)* E - Ball (3-position detent)*
Cavity	C-10-4
Fluids	All general purpose hydraulic fluids such as: MIL-H-5606, SAE 10, SAE 20, etc.
Filtration	Cleanliness code 18/16/13
Standard housing materials	Aluminum and Steel
Weight cartridge only	0,27 kg (0.59 lbs)
Seal kit	889625 (Buna-N), 566080 (Viton)

\* Light duty housing only.

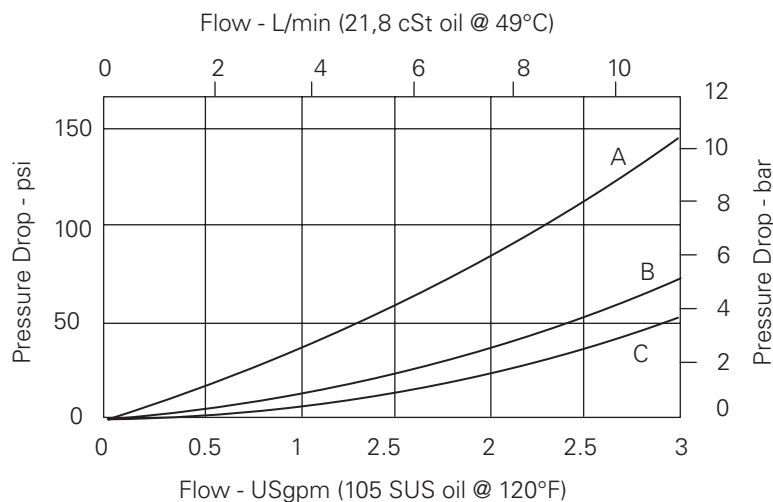
Viton is a registered trademark of E.I. DuPont

## Description

This is a 4 way 2 or 3 position manual semi-rotary directional control valve. In the center condition all port 2 is closed. All other ports are open.

## Pressure Drop Curves

Cartridge only



A - Port 3 to 4 or 3 to 2

B - Port 4 to 1

C - Port 2 to 1

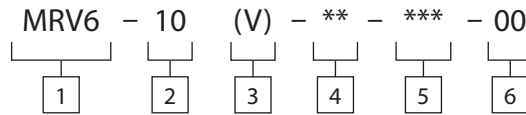
Where measurements are critical request certified drawings. We reserve the right to change specifications without notice.

# MRV6-10 - Manual Rotary Valve

Manual semi-rotary directional control valve

11 L/min (3 USgpm) • 210 bar (3000 psi)

## Model Code



**1** Function  
MRV6 - Manual rotary valve 4-way

**2** Size  
10 - 10 size

**3** Seal Material  
Blank - Buna-N  
V - Viton

**4** Manual Operator  
O - No operator  
D - Level (3-position detent)  
E - Ball (3-position detent)

**5** Port Size

Code	Port Size	Housing Number		
		Aluminum Light Duty	Aluminum Fatigue Rated	Steel
0	Cartridge			
A3B	3/8" BSPP	02-179705	-	-
A6T	SAE 6	566161	-	-
A2G	1/4" BSPP	-	876709	-
A3G	3/8" BSPP	-	876715	-
A6H	SAE 6	-	876708	-
A8H	SAE 8	-	876713	-
S2G	1/4" BSPP	-	-	02-175139
S3G	3/8" BSPP	-	-	02-175140
S6T	SAE 6	-	-	02-175137
S8T	SAE 8	-	-	02-175138

See section J for housing details.

**6** Special Features

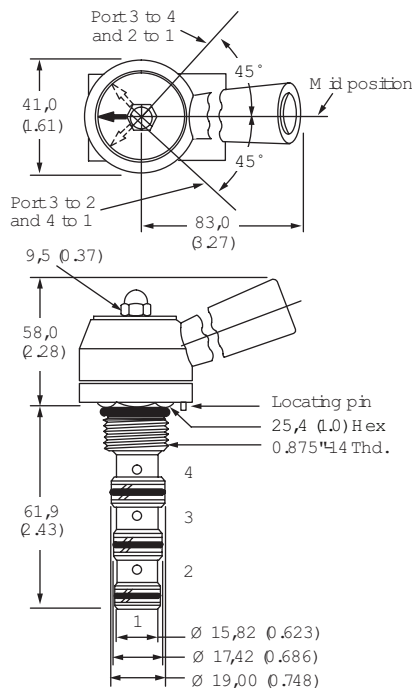
00 - None  
(Only required if valve has special features, omitted if "00")

## Dimensions

mm (inch)

Torque cartridge in aluminum housing  
47-54 Nm (35-40 ft lbs)

## Cartridge Only



## Installation Drawing (Aluminum)

