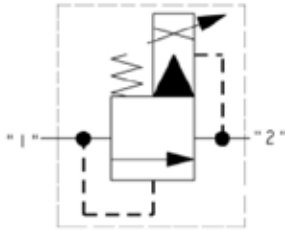


IRV2-10 - Proportional Valve

Proportional inverse relief, Spool

57 L/min (15 USgpm) • 240 bar (3500 psi)



Operation

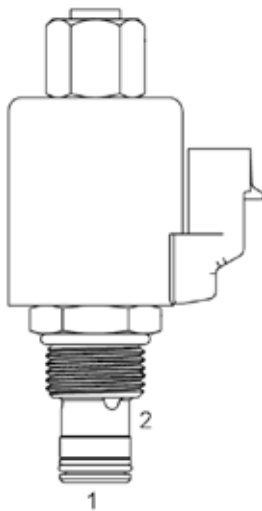
The IRV2-10 proportional relief is spring biased closed to highest setting. Increasing current to the coil will proportionally decrease the pressure setting.

This valve remains closed between port 1 and 2 until the predetermined pressure setting has been reached at port 1, overcoming the spring force and opening the spool to allow flow from port 1 to 2.

Features

Hardened and ground components for accurate consistent control and a long life. Pilot style to give accurate pressure control over varying flows. IP9K Tough coil compatibility continuously rated.

Sectional View



Performance Data

Ratings and Specifications

Performance data is typical with fluid at 21,8 cST (105 SUS) and 49°C (120°F)

Typical application pressure (all ports)	240 bar (3500 psi)
Cartridge fatigue pressure (infinite life)	240 bar (3500 psi)
Maximum pressure setting range	35 bar to 240 bar (500 to 3500 psi)
Rated Flow	57 lpm (15 US gpm)
Nominal supply voltage	12/24 V
Cavity	C-10-2
Internal leakage, port 1 to port 2	114 cm ³ /min. (7 in ³ /min) @ 210 bar
Standard housing material	Aluminum or steel
Fluids	All general purpose hydraulic fluids such as: MIL-H-5606, SAE10, SAE20 etc
Filtration	Cleanliness code 18/16/13
Temperature range	-40° to 120° C (-40° to 248° F)
Hysteresis	100 psi with dither
Weight cartridge only	0.13 kg (.3 lbs)
Seal Kit	565803 (Buna-N), 56086 (Viton®)

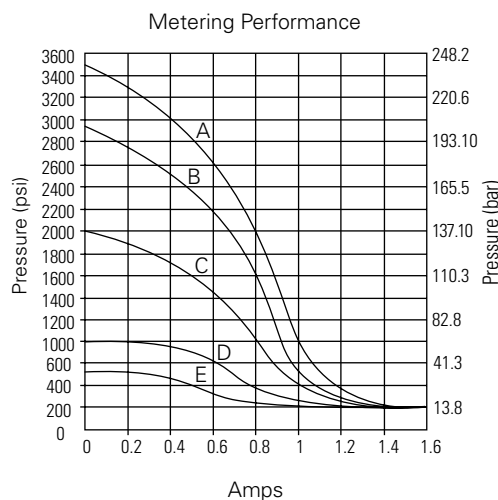
Viton is a registered trademark of E.I. DuPont

Endurance tested to 1 million cycles at full rated flow and pressure.

Description

This is a inverse proportionally controlled spool type two stage relief valve. Ideal for use to control the fan drive or brush pressure where full speed or force is required under electrical failure.

Pressure Drop



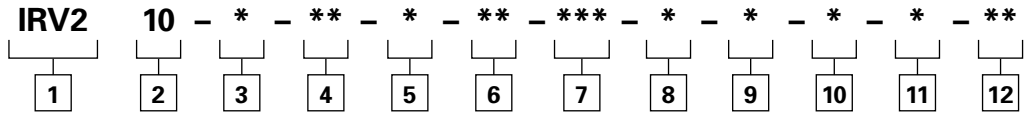
Pressure Differential

- A - 3500 psi
- B - 3000 psi
- C - 2000 psi
- D - 1000 psi
- E - 500 psi

IRV2-10 - Proportional Valve

Proportional inverse relief, Spool
57 L/min (15 USgpm) • 240 bar (3500 psi)

Model Code



1 Function

IRV2 - Inverse proportional relief

2 Size

10 - 10 size

3 Seal Material

Blank - Buna-N
V - Viton®

4 Factory Set Pressure

User requested in **100 psi** increments. Max pressure setting range 500 - 3500 psi
Example
15 - 1500 psi
30 - 3000 psi

5 Housing Material

Blank - Cartridge only
A - Aluminum

6 Port Size

Code	Port Size	Housing Number	
		Aluminum Single Light Duty	Aluminum Single Fatigue Rated
0	Cartridge only		
6T	SAE 6	566150	
8T	SAE 8	566151	
2G	1/4" BSPP		5986433-001
3G	3/8" BSPP		876703
6H	SAE 6		876700
8H	SAE 8		876701

See section J for housing details.

7 Coil Voltage

00 - No coil
010 - 10VDC
012 - 12VDC
024 - 24VDC

8 Type of Power

Blank - No coil
D - DC w/o diode
B - DC with diode

9 Connector Type

Blank - No coil
G - ISO 4400 DIN 43650
Q - Spade Terminals
W - Flying Lead
N - Deutsch (DC only)
Y - Amp JR (DC only)
P - Conduit

For coil part numbers and dimensions see section C.

10 Coil Series

Blank - No coil
J - J Series, 20 W
For coil part numbers and dimensions see section C.

11 Coil Special Features

Blank - No coil
00 - No special feature

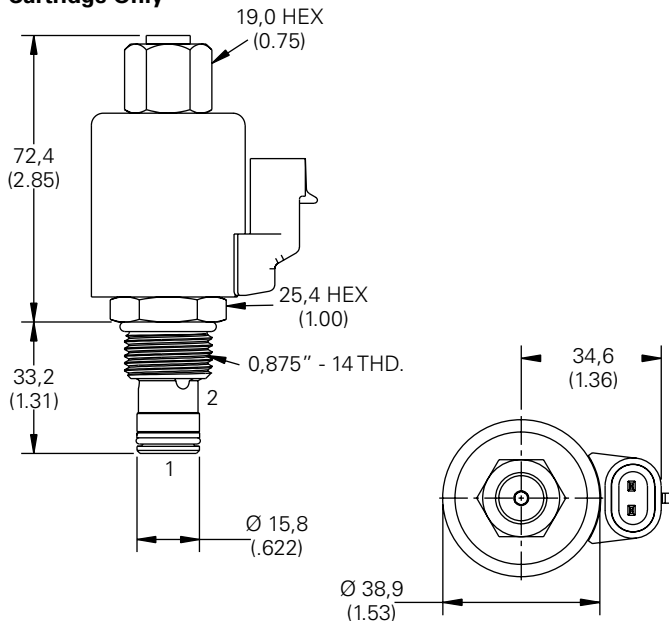
12 Valve Special Features

Blank - No coil

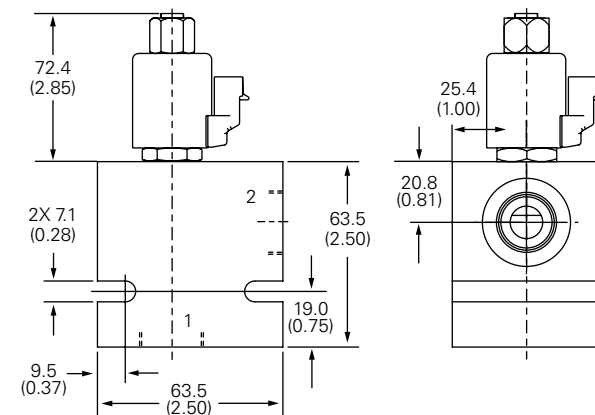
Dimensions

mm (inch)

Cartridge Only



Installation Drawing



Where measurements are critical request certified drawings. We reserve the right to change specifications without notice.